



Polarization Maintaining Fiber Pigtail (PMFP Series)

Description

The PM Fiber Pigtail is the basic building block for PM fiber optic components. The Fiber Pigtail is characterized with fine polishing surface, accurate polishing angle and high extinction ratio. The unique processing and high quality AR coating enable the fiber pigtail to handle high power with minimum loss.

Key Features

- Fine Polishing Surface
- Accurate Polishing Angle
- High Extinction Ratio

Applications

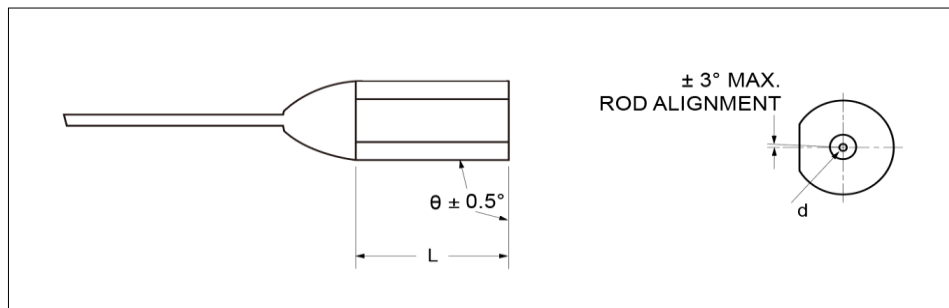
- PM Components

Specifications

Parameter	Unit	Value
Type	-	Single Fiber
Center Wavelength	nm	1550, 1310 or Specify
Capillary Diameter ¹	mm	1.25 Typically
Diameter Tolerance	mm	± 0.005
Capillary Length	mm	TBD
Polishing Angle	degree	0°, 8°
Fiber Orientation	-	Refer to Diagram
Fiber Type Combination	-	PM Fiber & PM Fiber, PM Fiber & SMF - 28
Typ. Extinction Ratio	dB	23
Min. Extinction Ratio	dB	20
Scratch/Dig	-	10/5
AR-Coating	-	R < 0.25% @ Specified Wavelength Range

¹Diameter tolerance of 1.0 mm pigtail is ± 0.02 mm.

Fiber Orientation



Ordering Information

PMFP-①-②-③-④-⑤-⑥-⑦⑦-⑧-⑨-⑩

①: Fiber Pigtail Type	②: AR-Coating	③: Capillary Diameter	④: Capillary Length
1 - Single Fiber	9806 - 980/1060 nm	1.25 - 1.25 mm	1 - 4.70 mm
2 - Dual Fiber	3155 - 1310/1550 nm	S - Specify	2 - 5.10 mm
	0000 - No AR-Coating		S - Specify
	SSSS - Specify		
⑤: Polishing Angle	⑥: Fiber Type Combination (For Dual Fiber Pigtail)	⑦⑦: PM Fiber Type	
8 - 8°	1 - PM Panda Fiber & PM Panda Fiber	1 - Fiber PM-98-025-B	
S - Specify	2 - PM Panda Fiber & Single Mode Fiber	2 - Fiber PM-31-025-B	
		3 - Fiber PM-55-025-B	
		4 - Fiber PM-31-040-B	
		5 - Fiber PM-55-040-B	
		S S-Specify	
⑧: Fiber Orientation	⑨: Fiber Length	⑩: Center Separation (For Dual Fiber Pigtail)	
A - J - Refer to The Diagram for Detail	1 - 1.0 m		
(A - H For Dual PM Fiber Pigtail,	S - Specify	125 - 125 μm	
J For SM & PM Fiber Pigtail,			
K For Single PM Fiber Pigtail)			